

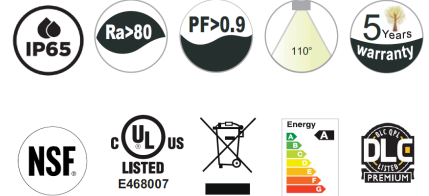


LITEMOR

Lighting up Canada for over 50 years



LED UFO HIGH BAY



Product Features

cULus listed, DLC Premium

Light efficacy 130 lumens per watt

110° Beam Angle

0-10V dimming Function

Aluminum frame, die-casting aluminum

Hook or ring mounting

CRI >80 with ≥50000H Life span

IP65 and NSF Rated

Applications

Commercial / Industrial

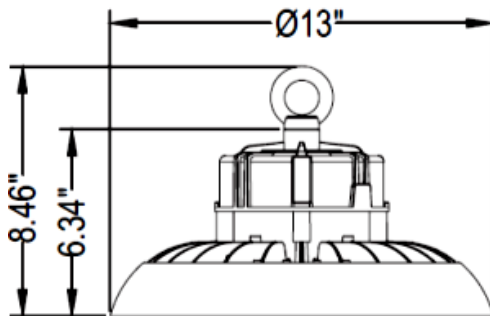
For use in Warehouses, Factories, Gas Stations, etc.

Warranty

5-year warranty

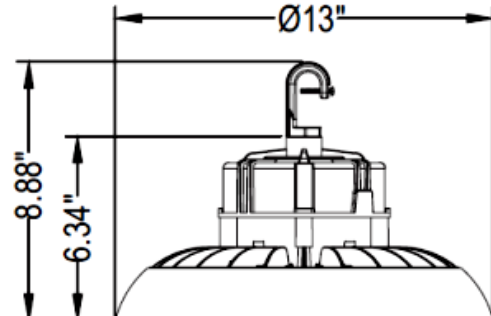
Product Dimensions

Ring Type



150W

Hook Type



150W

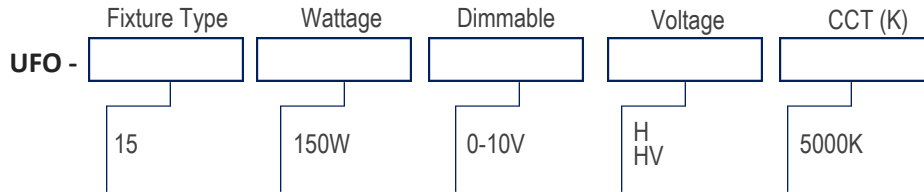


LITEMOR

Lighting up Canada for over 50 years

LED UFO HIGH BAY


Ordering Information Example: UFO15150W110H






Specifications

Model Number	DLC	Wattage (W)	Input Voltage (V)	Lum/W	CCT (K)	Beam Spread	Dimmable
UFO15150W110H5000K6FTCORD	Y	150W	AC120-277V	130	5000K	110	0-10V
UFO15150W110HV5000K6FTCORD	Y		AC277-480V				

Accessories

Accessory Type	
Yoke Mount Bracket	
Microwave Motion Sensor Kit	
Aluminum Reflector (Silver Colour)	
PC Reflector	
Wire Guard	

Accessory Type	
Safety Rope	
UL Emergency Driver Kits 25W	
Aluminum Reflector (Black Colour)	
90 Deg PC reflector + Glass cover	